

6

5

4

3

2

1

MATERIAL AND FINISH:

Insulator: Glass filled Nylon, black, UL-94-HB rated

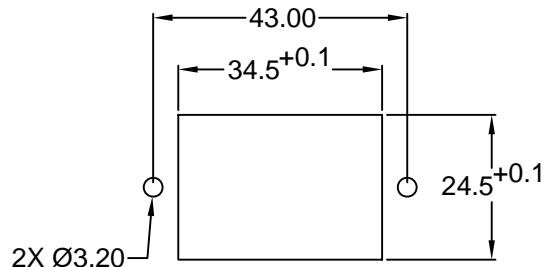
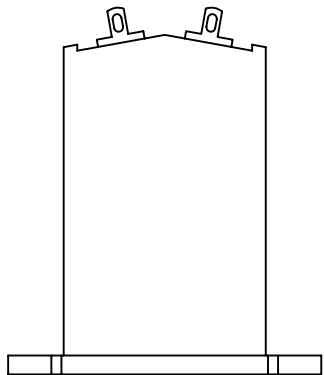
Contacts: Phosphor Bronze, Tin plated

Spring: Spring Steel

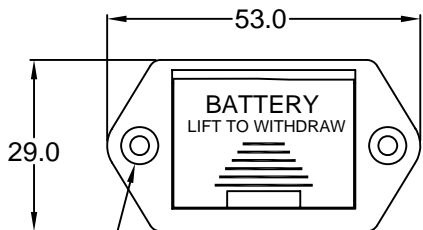
ENVIRONMENTAL

Operating temperature: -30°C TO +70°C

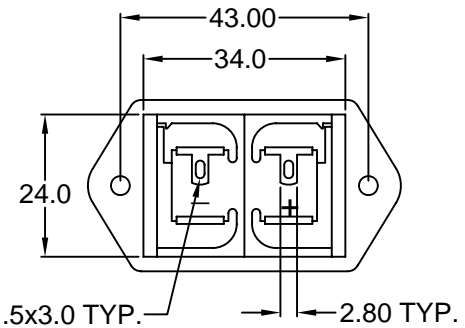
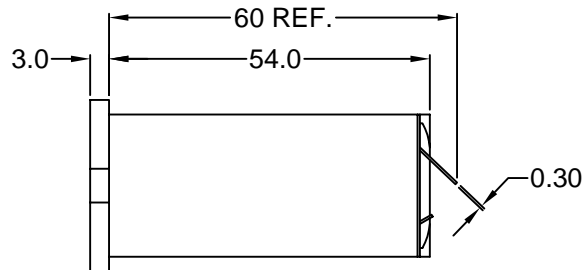
**RoHS
COMPLIANT**



**RECOMMENDED
PANEL CUTOUT**



2X Ø3.20 THRU
Ø6.35x45° CSK



REVISIONS	CHANGE	CHNG	CHK	APPR
	DATE	SS	JD	AH
	12/98	SS	JD	AH
	12/27/99	PB	TD	SS
02/27/02	GO	TD	PB	
REV	DATE	BY	CHK	APP
A	12/98	SS	JD	AH
B	12/27/99	PB	TD	SS
C	02/27/02	GO	TD	PB

TOLERANCE UNLESS OTHERWISE SPECIFIED	
X	± 1
X.X	± 0.4
X.XX	± 0.20
DRAWN BY	SS
DATE:	1/11/95
CHECK BY	JD
DATE:	1/12/95
APPR BY	AH
DATE:	1/12/95

Power Dynamics, Inc.
 Phone: 973 560-0019 Whippany, New Jersey Fax: 973 560-0076

**PART: 1 CELL PP3 (6R61) 9V BATTERY HOLDER,
 PANEL MOUNT, SOLDER TERMINALS**

B23

SIZE: A
 SCALE: NTS

ALL DIMENSIONS FOR REFERENCE ONLY
 DIMENSIONS ARE IN MILLIMETERS

SHEET 1 of 1
 REV: C